

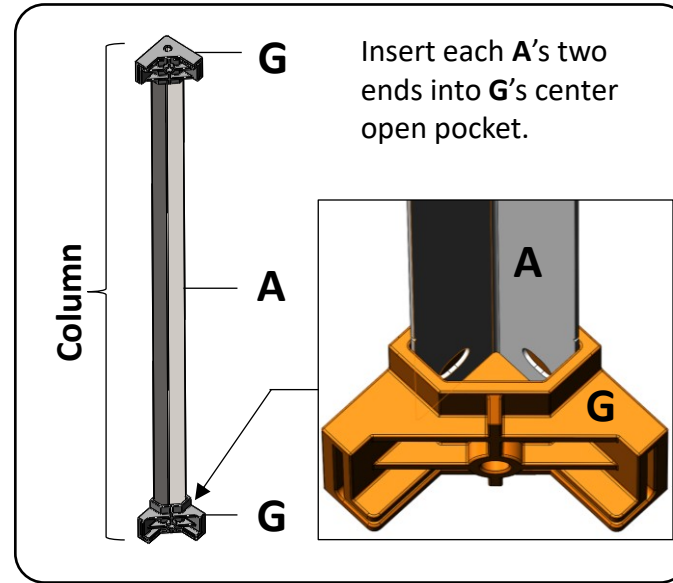
GCM-2025 Parts List

For any shipping damage, missing parts or assembly question, Contact service@genshed.com or call service at 425-8290398

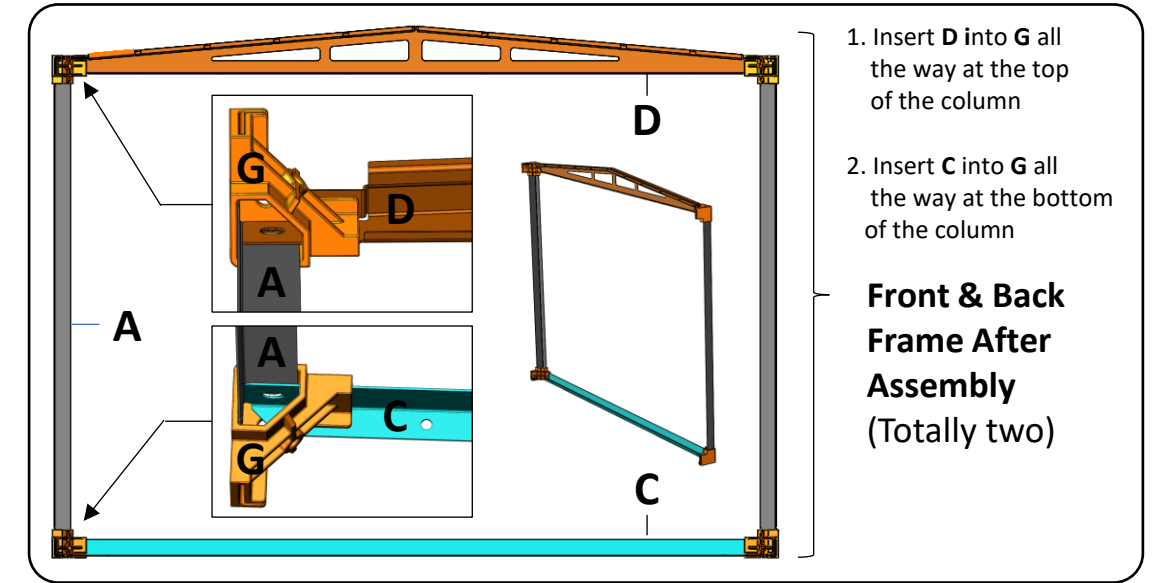
GCM-2025 Assembly Manual

Item	Label	Description	Reference Sketch	Quantity	Note
1	A	Corner Vertical Column		4	With Velcro Loop on the two outside surface
2	B	Left & Right Side Beam		4	Two With Velcro Loop & Two Without Velcro Loop
3	C	Front & Back Side Bottom Beam		2	Without any Velcro Loop
4	D	Front & Back Top Beam		2	With Velcro Loop on top and outside surface
5	E	Top Support Arm		2	With Velcro Hook On The 2 Ends & Velcro Loop on Sloped Top
6	F	Top Center Arm		1	With Velcro Hook On The 2 Ends & Velcro Loop on Sloped Top
7	G	Corner Quick Connection Bracket		8	Packed in one plastic bag
8	H	Corner Quick Connection Lock Insert		8	
9	I	Locking Bolt With Hand Knob		8	
10	J	Velcro Hook & Loop Pair to couple Shed to Generator		4	
11	K	Roof Cross Bar		9	Round solid stick
12	L	Front & Back Side Fabric Cover		2	Outside surface with Velcro Loop & Inner surface with Velcro Hook
13	M	Top Fabric Cover		1	Outside surface with Velcro Loop & Inner surface with Velcro Hook
14	N	Left & Right Side Fabric Cover		2	Outside surface with Velcro Loop & Inner surface with Velcro Hook
15	O	Assembly Manual			

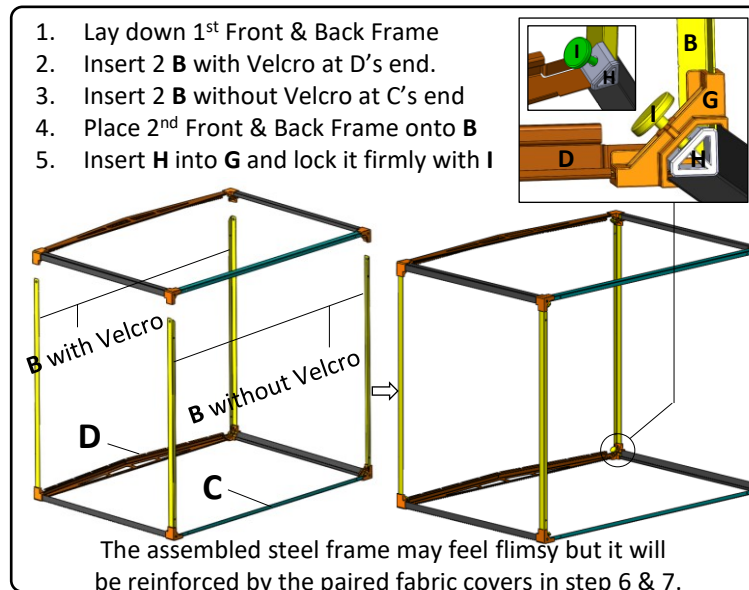
Step 1 – Insert A to G To Form The Column



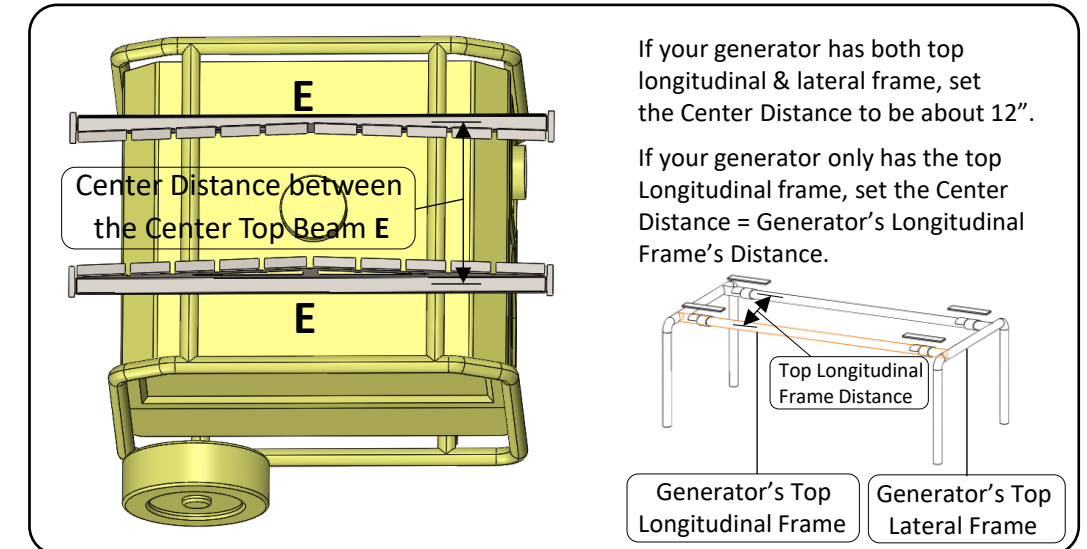
Step 2 – Insert D & C To Form The Front & Back Frame



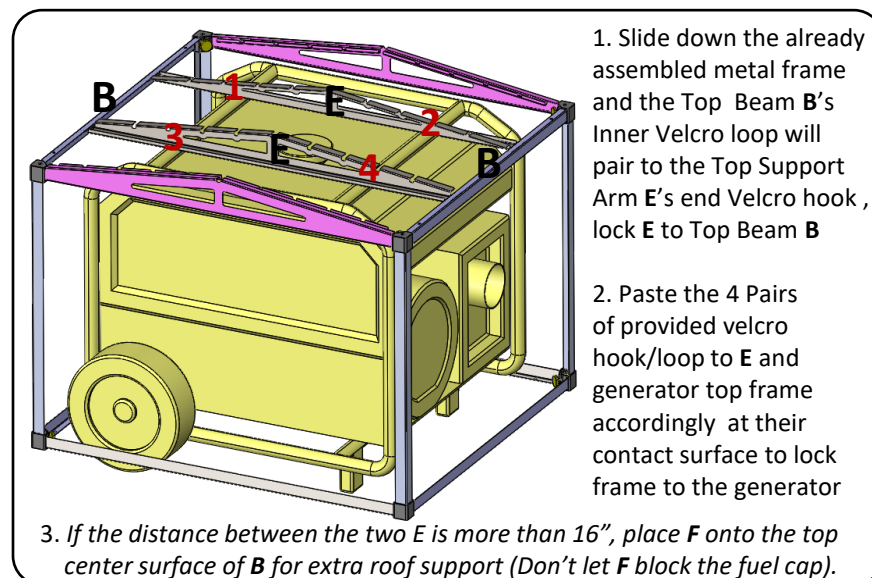
Step 3 – Form The Complete Frame



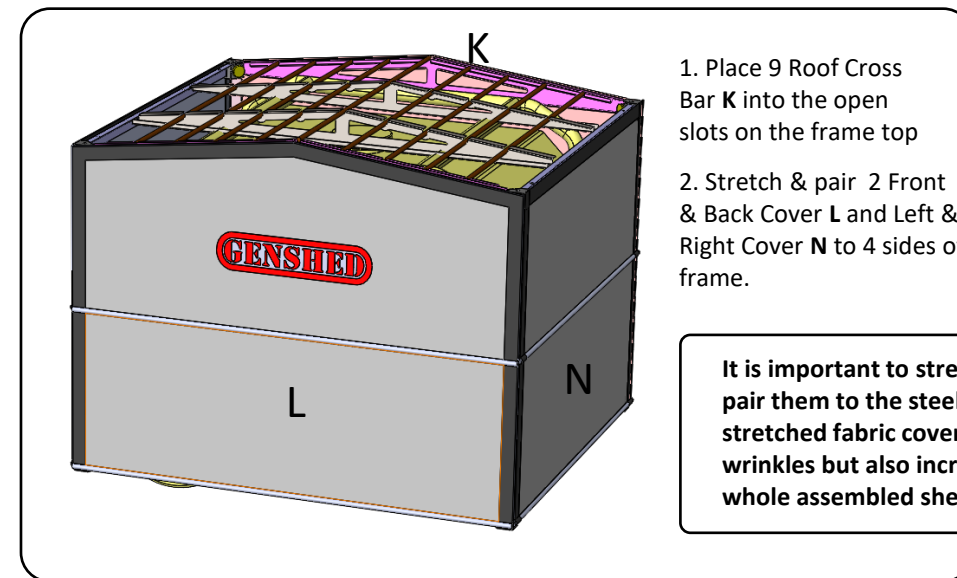
Step 4 – Place The Support Arm E Onto Generator



Step 5 – Sit The Frame Onto The Generator



Step 6 – Place The Top Cross Bars & Side Covers



Step 7 – Place The Top Cover To The Frame

